

the Sage Smart Tea Infuser™ Compact

STM500



EN QUICK GUIDE

Sage®



Contents

- 2 Important Safeguards
- 6 Components
- 8 Functions
- 11 Care & Cleaning
- 13 Troubleshooting

SAGE® RECOMMENDS SAFETY FIRST


At Sage® we are very safety conscious. We design and manufacture consumer products with the safety of you, our valued customer, foremost in mind. In addition we ask that you exercise a degree of care when using any electrical appliance and adhere to the following precautions.

IMPORTANT SAFEGUARDS

READ ALL INSTRUCTIONS BEFORE USE AND SAVE FOR FUTURE REFERENCE

- A downloadable version of this document is also available at sageappliances.com

- Before using for the first time please ensure that your electricity supply is the same as shown on the rating label on the underside of the appliance. If you have any concerns please contact your local electricity company.
- Remove and safely discard any packaging materials before first use.
- To eliminate a choking hazard for young children, safely discard the protective cover fitted to the power plug.
- This appliance has been designed specifically for the purpose of heating and boiling quality drinking water and tea only. Under no circumstances should this product be used to heat or boil any other liquids or foodstuffs.
- Position the appliance on a stable, heat resistant, level, dry surface away from the edge and do not operate on or near a heat source such as a hot plate, oven or gas hob.
- Do not place the appliance on or near a hot gas burner, electric element or where it could touch a heated oven.
- Position the appliance at least 20cm from walls or heat/steam sensitive materials and provide adequate space above and on all sides for air circulation.
- Do not operate the kettle on sink drain board.

- Always ensure the appliance is properly assembled before connecting to a power outlet and operating. Follow the instructions provided in this book.
 - The installation of a residual current safety switch is recommended to provide additional safety when using all electrical appliances. Safety switches with a rated operating current not more than 30mA are recommended. Consult an electrician for professional advice.
 - The glass jug must be used only with the power base supplied. Do not use on a range top.
 - The appliance is not intended to be operated by means of an external timer or separate remote control system.
 - Do not touch hot surfaces. Use the handle for lifting and carrying the glass jug.
 - Attach the jug lid securely to the glass jug before operation.
 - Do not place anything on top of the lid.
 - Do not open the jug lid during operation as scalding may occur.
 - Extreme caution must be used when moving the glass jug containing hot liquid.
 - Use caution when pouring water from the glass jug as boiling water and steam will scald. Do not pour the water too quickly.
 - To avoid scalding, never fill the glass jug past the 'MAX' line marking.
 - Do not operate the appliance without water. Always fill the glass jug to at least the 'MIN' marking. Should it be operated without water, the boil-dry protection will shut the power off automatically. Allow the appliance to cool before refilling.
-  **WARNING**
- Do not remove the glass jug from the power base during heating or when the basket is in operation. Ensure the appliance has completed the water heating or tea brewing cycle before removing the glass jug from the power base.
 - The use of accessory attachments not recommended by Sage® may result in fire, electric shock or injury to persons.
 - Always ensure the appliance is turned OFF, unplugged at the power outlet and has been allowed to cool before cleaning, attempting to move or storing.
 - When the appliance is not in use or when left unattended, disconnect the power cord from the wall outlet.
 - Allow the appliance to cool down in between brewing cycles.
 - Keep the glass jug clean. Follow the cleaning instruction provided in this book.

- Do not use harsh abrasives or caustic cleaners when cleaning this appliance.
- Children should not play with the appliance.
- The glass jug has been specially treated to make it stronger, more durable and safer than ordinary glass, however it is not unbreakable. If dropped or struck extremely hard, it may break or weaken, and could at a later time shatter into many small pieces without apparent cause.
- Any maintenance other than cleaning should be performed by an authorised Sage® service centre.
- The appliance can be used by children aged 8 or older and persons with reduced physical, sensory or mental capabilities or a lack of experience and knowledge, only if they have been given supervision or instruction concerning use of the appliance in a safe way and understand the hazards involved.
- Children should not play with the appliance.
- Always turn the appliance to the OFF position, switch off at the power outlet and unplug at the power outlet when the appliance is not in use.



WARNING

- Do not wash jug exterior under running water.



IMPORTANT SAFEGUARDS FOR ALL ELECTRICAL APPLIANCES

- Fully unwind the power cord before operating.
- This appliance is for household use only. Do not use the appliance for anything other than its intended use. Do not use in moving vehicles or boats. Do not use outdoors. Misuse may cause injury.
- Do not let the power cord hang over the edge of a bench or table, touch hot surfaces or become knotted.
- Close supervision is necessary when any appliance is used by or near children.
- Cleaning of the appliance should not be carried out by children unless they are 8 years or older and supervised.
- The appliance and its cord should be kept out of reach of children aged 8 years and younger.
- Do not use the appliance if the power cord, power plug, or appliance becomes damaged

in any way. If damaged and maintenance other than cleaning is required please contact Sage Customer Service or go to sageappliances.com

WARNING

- Do not operate the appliance on an inclined surface.
- Do not move the appliance while it is switched on.



The symbol shown indicates that this appliance should not be disposed of in normal household waste.

It should be taken to a local authority waste collection centre designated for this purpose or to a dealer providing this service. For more information, please contact your local council office.

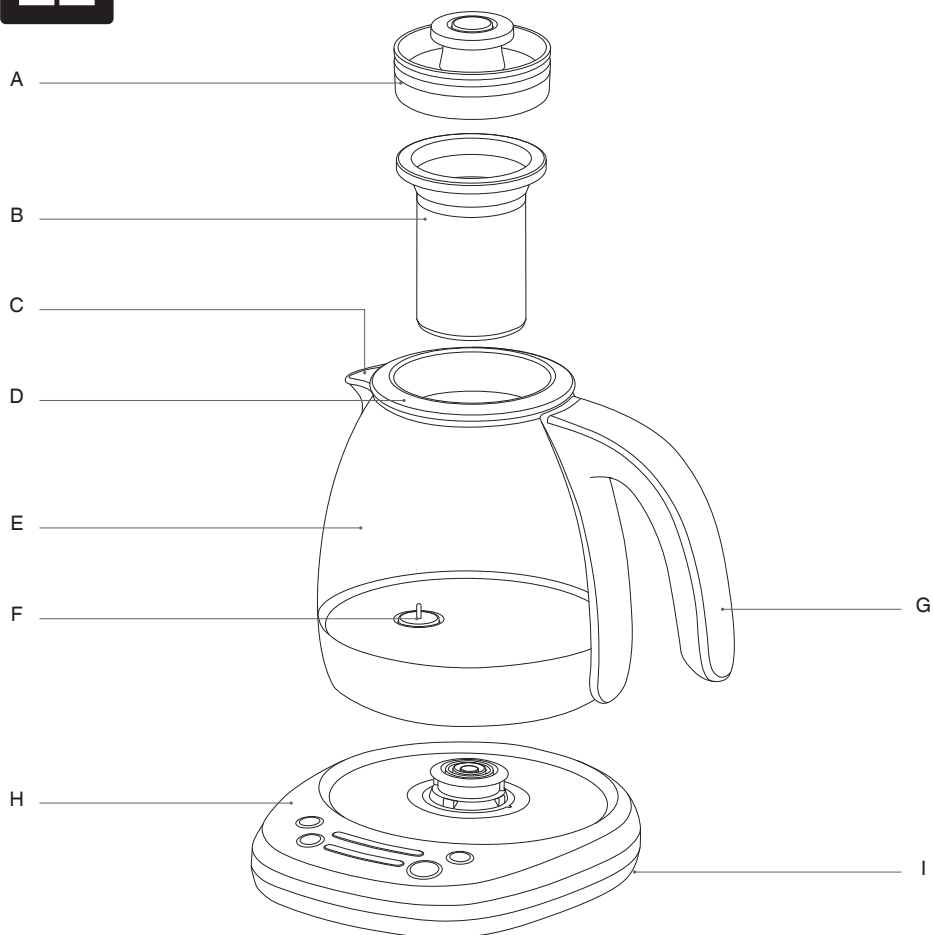


To protect against electric shock, do not immerse the glass jug base, power base, power cord or power plug in water or allow moisture to come in contact with these parts. Avoid spilling water onto the power base's connector. Do not immerse the glass jug or the power base for cleaning.

SAVE THESE INSTRUCTIONS



Components



A. Inner Lid

B. Stainless Steel Tea Basket

C. Spout

D. Outer Lid

E. Glass Body

F. Immersed Temperature Sensor

G. Handle

H. Power Base

I. Cord Storage

BPA Free Materials*

* Sage makes its BPA free claim for this product based on independent laboratory testing performed for all the food contact plastic materials of the product per EU Commission regulation No 10/2011.

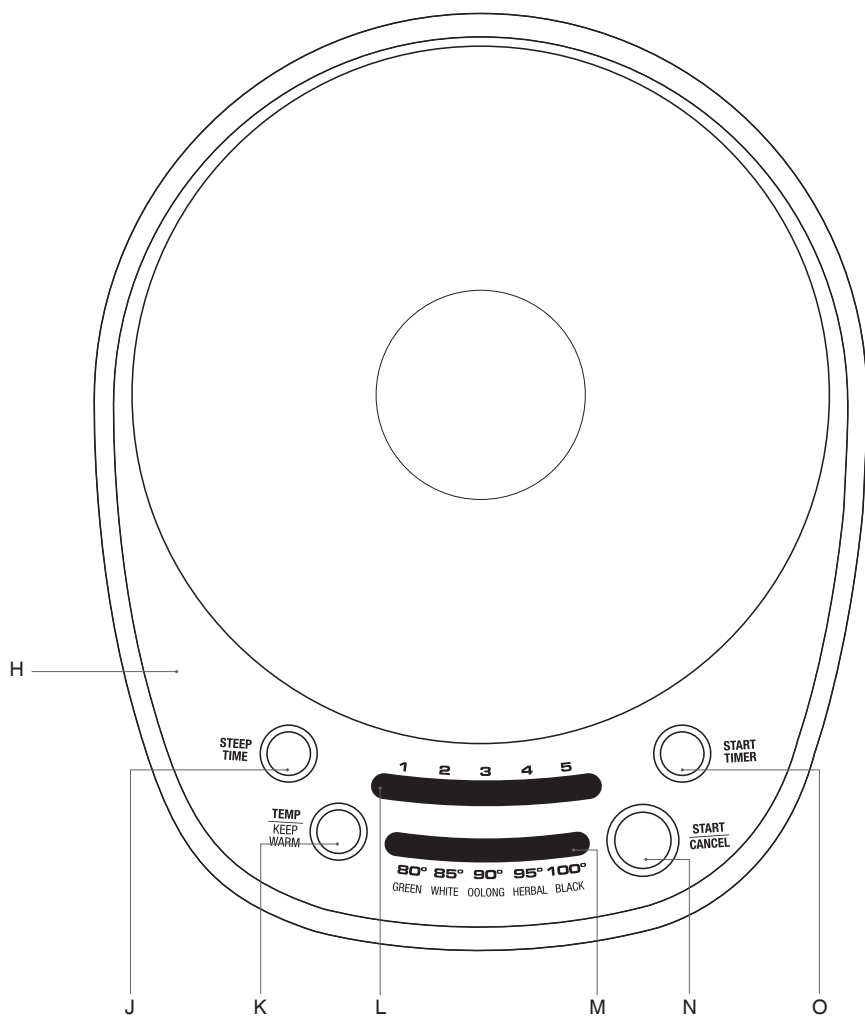


Rating Information

220-240V ~ 50-60Hz 1200-1428W



Components



J. STEEP TIME button
 K. TEMP/KEEP WARM button
 L. Steep time indicator

M. Temperature / tea type indicator
 N. START/CANCEL button
 O. START TIMER button

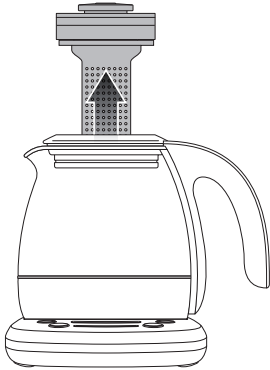


Functions

BEFORE FIRST USE

In order to remove any dust or protective residues from the manufacturing process, it is recommended to run a boiling cycle then discard the water.

1. Remove and safely discard any packing material, promotional labels and tape from the tea maker.
2. Lift the inner lid along with attached tea basket.



Then remove the outer lid. Wash the outer lid, tea basket, and inner lid in warm soapy water with a soft sponge, rinse and dry thoroughly.



WARNING

Never immerse the base of the glass jug, the power base, power cord or power plug in water or allow moisture to come in contact with these parts.

3. Place the power base on a flat, dry surface.
4. Unwind the power cord completely and insert the power plug into a grounded wall outlet.



WARNING

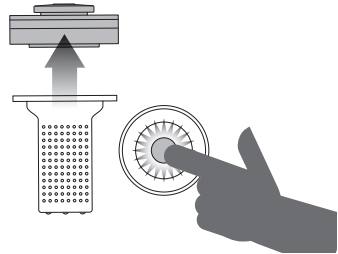
Never fill the glass jug with chilled water. Allow the Sage Smart Tea Infuser™ Compact to cool before refilling.



WARNING

Filling past the MAX line may result in serious burns or injuries as a result of overflowing hot or boiling water. Filling below the MIN line will result in the Sage Smart Tea Infuser™ Compact switching off before the water has boiled or reached the selected temperature.

5. Detach the tea basket from the inner lid by pressing the button.



6. Without the tea basket in place, fill the glass jug to the water MAX mark and place on the power base. Securely fit the lid onto the glass jug.
7. Select '100°C' in the temperature indicator by pressing TEMP/KEEP WARM button and turn off the timer by pressing STEEP TIME button several times. Then press START/CANCEL button to start.
8. Once the water reaches 100°C, it will beep 3 times.
9. Discard the water. The Sage Smart Tea Infuser™ Compact is now ready to use.

BREWING TEA

1. Fill the glass jug with desired amount of water. Ensure you do not fill past the MAX mark. Place the outer lid, tea basket, and inner lid.
2. Select the tea type by pressing the TEMP/KEEP WARM button. The tea type determines brew temperature and steep time, based on medium strength. The Sage Smart Tea Infuser™ Compact has 5 preset tea types recommended for optimal brewing of Green, White, Oolong, Herbal, or Black tea.

TEA TYPE		Green	White	Oolong	Herbal	Black
Preset Brew Temp		80°C	85°C	90°C	95°C	100°C
Steep Time* (mins)	Mild	2	2	2	3	1
	Medium*	3	3	3	4	2
	Strong	4	4	4	5	3

* Preset steep time is based on medium strength, but you can adjust depending on your taste.



NOTE

This product is not calibrated for commercial or scientific use. Temperatures may vary +/- 3°C, which is within range for optimal brewing for each tea variety.

3. Start heating by pressing START/CANCEL button. The Sage Smart Tea Infuser™ Compact will start heating.
4. Once the selected brew temperature is reached it will beep 3 times. Open the tea basket lid by pressing the detachment button and use a tea spoon (approximately 5g) to fill the basket with tea leaves. As a general guide, use 1 teaspoon of tea leaves per cup / 250ml of water, however this will depend on the instructions on tea packaging and your personal preference. Re-place the tea basket lid.

Water to tea scoop ratio

500mL	2 teaspoons
750mL	3 teaspoons
1000mL	4 teaspoons

5. Start steeping by pressing the START TIMER button. The timer is set based on medium strength by default, but you can change this by pressing STEEP TIME button.



NOTE

Temperature and time can be changed during heating or steeping cycle.

Once brewing cycle is complete, the Sage Smart Tea Infuser™ Compact will beep 3 times. Lift the inner lid along with tea basket, and detach the tea basket. Then close the lid. Your tea is ready now. The Sage Smart Tea Infuser™ Compact will keep the tea warm until you are ready to drink.



NOTE

Keep Warm will last for 30 minutes after the tea is brewed. When the glass jug is removed from the power base, it will stop Keep Warm function.

To restart the Keep Warm function, place the jug containing Tea or Water on the power base, then press and hold the TEMP/KEEP WARM button for 2 secs. The jug will keep warm for another 30 mins at the previous brewed temperature.

BOILING WATER

Remove the tea basket and fill the glass jug with water. Close the jug with the lid. Select the desired temperature by pressing TEMP/KEEP WARM button, and then turn off time indicator by pressing STEEP TIME button. Press START/CANCEL button to start. When finished, it will beep 3 times.

CHANGING BEEP VOLUME

Press and hold STEEP TIME button and TEMP/KEEP WARM button together for 2 seconds to enter volume adjustment mode. Press STEEP TIME button to choose among OFF (mute), 3 (default), and 5 (louder). To save and exit, press the two buttons together or wait for 7 seconds.



Care & Cleaning

CLEANING THE GLASS JUG

- After each use, empty the glass jug. Do not allow brewed tea to stand overnight. Allow the glass jug to fully cool before cleaning.
- Wipe the interior of the glass jug with a soft damp sponge or rinse with warm water.
- Wipe the exterior of the glass jug with a soft damp cloth to clean.



WARNING

Never immerse or wash exterior of glass jug under running water.



NOTE

Do not use chemicals, steel wool, or abrasive cleaners to clean the inside or outside of the glass jug as these may scratch the surface.

- To remove the build-up of tannin, the astringent chemical constituent of tea, fill the glass jug with water up to the MAX mark and bring water to boil and allow water to cool for one minute. Add contents of Tea Maker Cleaner (available at Sage web page) and allow to stand for 5 minutes. Empty Sage Smart Tea Infuser™ Compact, refill with fresh water and boil. Repeat this step again. Empty the Sage Smart Tea Infuser™ Compact and rinse thoroughly.
- Dry thoroughly with a soft, lint-free cloth before using.



NOTE

Through regular use over time, scale build-up can affect the performance and the life of the Sage Smart Tea Infuser™ Compact. Lime and phosphate are common forms of scale that can damage your Sage Smart Tea Infuser™ Compact. Lime scale, a harmless mineral, comes in the appearance of white-coloured or rusty looking build up on the inner walls and inner base of the glass jug. Phosphate scale can't be seen, however, it can cause the water to appear cloudy when heated. To prevent scale from damaging your Sage Smart Tea Infuser™ Compact, ensure to descale the glass jug regularly. Use Descaler (available at Sage web page) and follow the instructions.



NOTE

Allow all parts of the Sage Smart Tea Infuser™ to cool completely before disassembling and cleaning.



WARNING

Never immerse the base of the glass jug, power base, power cord or power plug in water or allow moisture to come in contact with these parts.



CLEANING THE OUTER LID

- Wash the outer lid in warm soapy water with a soft sponge, rinse and dry thoroughly.
- Alternatively, the outer lid is dishwasher safe.
- Let all surfaces dry thoroughly prior to using.

CLEANING THE BASKET

- Wash the inner lid and tea basket in warm soapy water with a soft sponge, rinse and dry thoroughly. A non-abrasive liquid cleanser or mild spray solution may be used to avoid build-up of stains. Apply the cleanser to the sponge, not the accessory surfaces, before cleaning.
- The tea basket is dishwasher safe, but the inner lid is not.
- Let all surfaces dry thoroughly before using.

CLEANING THE POWER BASE

- Wipe the power base with a soft-damp sponge.
- Let all surfaces dry thoroughly prior to inserting the power plug into the wall outlet.

STORAGE

- Ensure the Sage Smart Tea Infuser™ Compact is switched off, cleaned and dried before storing.
- Ensure that the tea basket is correctly assembled.
- Ensure that the jug lid is securely in place on the glass jug.
- Wrap the power cord around the power cord storage under the power base.
- Store the Sage Smart Tea Infuser™ Compact upright on the power base. Do not store anything on top.



Troubleshooting

PROBLEM	WHAT TO DO
The Sage Smart Tea Infuser™ Compact does not switch on	<ul style="list-style-type: none"> • Check the power plug is securely inserted into the outlet. • Insert the power plug into an independent outlet. • Insert the power plug into a different outlet. • Reset the circuit breaker if necessary. • For additional safety the Sage Smart Tea Infuser™ Compact is fitted with a thermal cut out. In the event of severe overheating, the Sage Smart Tea Infuser™ Compact will automatically shut down to prevent further damage.
The Sage Smart Tea Infuser™ Compact does not work	<ul style="list-style-type: none"> • Check the glass jug is securely positioned on the power base.
I cannot select a certain function	<ul style="list-style-type: none"> • Certain features cannot be selected or changed during the heating or brewing cycle. LED lights surrounding the buttons will indicate the availability of the functions.
After boiling water, bubbles appear around the temperature sensor	<ul style="list-style-type: none"> • This is normal for the functionality of the Sage Smart Tea Infuser™ Compact.
My tea tastes too weak or too strong	<ul style="list-style-type: none"> • Perform a cleaning cycle as per instruction in the booklet. • Follow the cleaning instructions in this booklet.

DEU

AUT

Sage Appliances GmbH
Campus Fichtenhain 48, 47807 Krefeld, Deutschland

Deutschland: +49 (0)8005053104

Österreich: +43 (0)800 80 2551

GBR

IRE

BRG Appliances Limited
Unit 3.2, Power Road Studios, 114 Power Road, London, W4 5PY

Freephone (UK Landline): +44 (0)808 178 1650

Mobile Calls (National Rate): 0333 0142 970

BEL

Belgium

+32 (0)800 54 155

LUX

Luxembourg

+352 (0)800 880 72

CHE

Switzerland

+41 (0)800 009 933

Sage®

www.sageappliances.com

Registered in Germany No. HRB 81309 (AG Düsseldorf).

Registered in England & Wales No. 8223512.

- Aufgrund kontinuierlicher Produktverbesserungen kann das auf dieser Verpackung dargestellte Produkt leicht vom tatsächlichen Produkt abweichen.
 - Due to continued product improvement, the products illustrated or photographed in this document may vary slightly from the actual product.
 - En raison de son amélioration continue, le produit représenté sur cet emballage peut différer légèrement du produit réel.
- A causa del continuo miglioramento dei prodotti, il prodotto illustrato su questa confezione può variare leggermente rispetto al prodotto reale.
- Vanwege voortdurende productverbetering kunnen de producten die in dit document worden geïllustreerd of gefotografeerd enigszins afwijken van het daadwerkelijke product.

Copyright BRG Appliances 2018.

STM500 A18