

the Perfect Press™

BSG600/SSG600



EN QUICK GUIDE

Sage®



Contents

- 2 Sage Recommends Safety First
- 4 Components
- 5 Functions
- 7 Care & Cleaning
- 8 Guarantee

SAGE® RECOMMENDS SAFETY FIRST

At Sage® we are very safety conscious. We design and manufacture appliances with your safety foremost in mind. In addition, we ask that you exercise a degree of care when using any electrical appliance and adhere to the following precautions.

IMPORTANT SAFEGUARDS

READ ALL INSTRUCTIONS BEFORE USE AND SAVE FOR FUTURE REFERENCE

- A downloadable version of this document is also available at sageappliances.com

- Before using the first time ensure your electricity supply is the same as shown on the label on the underside of the appliance.
- Remove and safely discard any packaging materials before first use.
- The appliance is for household use only. Do not use the appliance for anything other than its intended use. Do not use in moving vehicles or boats. Do not use outdoors.
Misuse may cause injury.
- Fully unwind the power cord before operating.
- Position the appliance on a stable, heat resistant, level, dry surface away from the edge and do not operate on or near a heat source such as a hot plate, oven or gas hob.
- Do not let the power cord hang over the edge of a bench or table, touch hot surfaces or become knotted.
- Position the appliance at least 20cm from walls or heat/steam sensitive materials and provide adequate space above and on all sides for air circulation.
- Ensure the power cord does not become trapped between the upper and lower hot plates of the appliance during use or storage.
- Do not leave the appliance unattended when in use.
- The appliance is not intended to be operated by the means of an external timer or separate remote control system.

- Do not place anything on top of the grill when lid is closed, when in use and when stored.



The appliance is marked with a HOT surface symbol. The lid and other surfaces will be hot when the appliance is operating and for some time after use. To prevent burns always use insulated oven mitts or use handles or knobs where appropriate.

- Always ensure the appliance is turned OFF, unplugged at the power outlet and has been allowed to cool before cleaning, moving or storing.
- Do not use the appliance if the power cord, plug, or appliance becomes damaged in any way. If damaged or maintenance other than cleaning is required, please contact Sage Customer Service or go to sageappliances.com
- Any maintenance other than cleaning should be performed by an authorised Sage® service centre.
- Children shall not play with the appliance.
- The appliance can be used by children aged 8 or older and persons with reduced physical, sensory or mental capabilities or a lack of experience and knowledge, only if they have been given supervision or instruction

concerning use of the appliance in a safe way and understand the hazards involved.

- Cleaning of the appliance should not be carried out by children unless they are 8 years or older and supervised.
- The appliance and its cord should be kept out of reach of children aged 8 years and younger.
- The installation of a residual current safety switch is recommended to provide additional safety when using all electrical appliances. Safety switches with a rated operating current not more than 30mA are recommended. Consult an electrician for professional advice.



The symbol shown indicates that this appliance should not be disposed of in normal household waste. It should be taken to a local authority waste collection centre designated for this purpose or to a dealer providing this service. For more information, please contact your local council office.

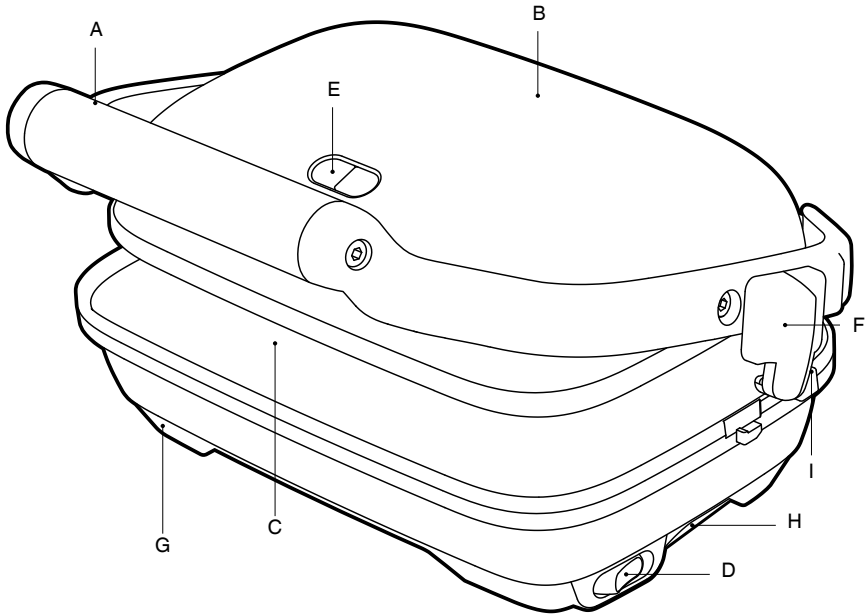


To protect against electric shock, do not immerse the power plug, cord or appliance in water or any liquid.

SAVE THESE INSTRUCTIONS



Components



- A. Top plate handle
- B. Top plate
- C. Flat non-stick cooking plates
For extra crispy toasted results.
Lower cooking plate has easy wipe corners.
- D. On/Off switch
- E. 'Power' and 'Ready' lights
Indicate when the sandwich press is heating or ready to use.
- F. Adjustable Height Control clip
With 3 settings for OPEN MELT, CRUSH CONTROL and LOCK position for vertical storage.
- G. Non-slip feet
- H. Convenient cord wrap in base
- I. Power cable with Sage Assist® Plug (not shown).



Rating Information

220-240V~ 50-60Hz 1260-1500W



Functions

BEFORE FIRST USE

Remove any promotional materials and packaging materials before use. Check that the cooking plates are clean and free of dust.

If necessary, wipe over with a damp cloth.

When using the sandwich press for the first time you may notice a fine smoke haze. This is caused by the heating of some of the components. There is no need for concern.



NOTE

- Always allow the sandwich press to pre-heat until the green 'READY' light illuminates.
- The LOCK position is for the storage only. It should not be used to clamp down the top cooking plate when sandwiches are in the sandwich press.

CRUSH CONTROL TOASTED SANDWICH

This setting will reduce the weight of the top cooking plate, giving fluffy cooking results similar to cooking in a frying pan.

1. Insert the power plug into a 240V power outlet. Switch the On/Off switch to the ON position. The orange 'POWER' light will illuminate.
2. Allow the sandwich press to preheat with the top cooking plate in the closed position until the green 'READY' light illuminates.
3. Place sandwich on the bottom cooking plate. Always place sandwiches in the center of the bottom cooking plate.
4. Move the Adjustable Height Control clip on the right hand side of the sandwich press to the CRUSH CONTROL position.
5. Close the top cooking plate. The top cooking plate has a crush control hinge that is designed to evenly and lightly press down the sandwich.



6. Toasting should take approximately 3–5 minutes. Exact toasting time will be a matter of taste. It will also depend on the type of bread and type of filling used.
7. When the sandwich is cooked, use the handle to open the sandwich press and raise the top cooking plate. Remove sandwich with a plastic or wooden spatula. Never use metal tongs or a knife as these can cause damage to the non-stick coating.



Hot Surfaces
Do Not Touch

This symbol indicates, temperature of accessible surfaces may be high when the appliance is operating and for some time after use.



WARNING

Fully unwind the power cord from the cord wrap before use.

OPEN SANDWICH MELTS

1. Insert the power plug into a 240V power outlet.
Switch the On/Off switch to the ON position.
The orange 'POWER' light will illuminate.
2. Allow the sandwich press to preheat with the top cooking plate in the closed position until the green 'READY' light illuminates.
3. Place sandwich to be melted on the bottom plate. Always place sandwiches in the center of the bottom cooking plate.
4. Open the lid and move the Adjustable Height Control clip on the right hand side of the sandwich press to OPEN MELT position.



5. Slowly lower the top plate until it sits in the OPEN MELT position.
6. The top plate will radiate the desired heat to melt ingredients such as cheese.
7. Toasting melts should take approximately 5–7 minutes. However, exact toasting time will be a matter of taste. It will also depend on how far the food is away from the top plate.



Care & Cleaning

Before cleaning, switch the On/Off switch to the Off position and unplug the sandwich press. Allow your sandwich press to cool before cleaning.

Always clean your sandwich press after each use to prevent a buildup of baked-on foods.

Wipe cooking plates with a soft cloth. If cooked on food is not removed by this method reheat the unit for 1–2 minutes, then brush with a little oil or melted butter.

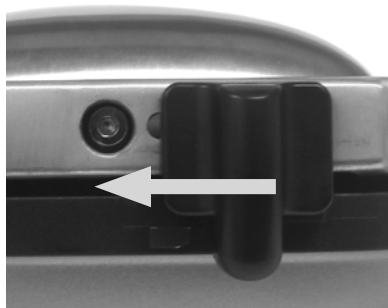


NOTE

- The cooking plates are coated with a non-stick surface; do not use abrasives.
- Do not use spray-on non-stick coatings as this will affect the performance of the non-stick surface on the cooking plates.

STORAGE

1. Switch the On/Off switch to the Off position and unplug the sandwich press.
2. Allow the sandwich press to fully cool.
3. Move the Adjustable Height Control clip on the right hand side of the sandwich press to LOCK position so that the top and bottom cooking plates are locked together.



4. Wrap the power cord in the cord storage area below the appliance.



5. The sandwich press is designed to be stored at upright position for compact storage. Store on a flat, dry, level surface.



WARNING

DO NOT IMMERSE ANY PART OF THE SANDWICH PRESS IN WATER OR ANY OTHER LIQUID.

Any other servicing should be performed by an authorised service representative.



Guarantee

2 YEAR LIMITED GUARANTEE

Sage Appliances guarantees this product for domestic use in specified territories for 2 years from the date of purchase against defects caused by faulty workmanship and materials. During this guarantee period Sage Appliances will repair, replace, or refund any defective product (at the sole discretion of Sage Appliances).

All legal warranty rights under applicable national legislation will be respected and will not be impaired by our guarantee. For full terms and conditions on the guarantee, as well as instructions on how to make a claim, please visit www.sageappliances.com.

GBR

BRG Appliances Limited
Unit 3.2, Power Road Studios,
114 Power Road, London, W4 5PY
Freephone (UK Landline): 0808 178 1650
Mobile Calls (National Rate): 0333 0142 970

IRE

Ireland
1800 932 369

ESP

Spain
0900 838 534

ITL

Italy
800 909 773

POR

Portugal
0800 180 243

DEU

AUT

Sage Appliances GmbH
Campus Fichtenhain 48, 47807 Krefeld,
Deutschland
Deutschland: 0800 505 3104
Österreich: 0800 80 2551

BEL

Belgium
0800 54 155

NO

Norway
80 024 976

NLD

Netherlands
0800 020 1741

SE

Sweden
0200 123 797

FRA

Sage Appliances France SAS
Siège social: 66 avenue des Champs
Élysées – 75008 Paris
879 449 866 RCS Paris
France: 0800 903 235

LUX

Luxembourg
0800 880 72

DK

Denmark
080 820 827

CHE

Switzerland
0800 009 933

FI

Finland
0800 412 143

Sage®

www.sageappliances.com

Registered in England & Wales No. 8223512
Registered in Germany No. HRB 81309 (AG Düsseldorf)
Registered in France No. 879 449 866 RCS

EN Due to continued product improvement, the products illustrated or photographed in this document may vary slightly from the actual product.

DEU Aufgrund unserer kontinuierlichen Produktverbesserungen kann die hier gezeigte Abbildung geringfügig vom tatsächlichen Produkt abweichen.

FRA En raison de leur amélioration continue, les produits représentés ou photographiés dans le présent document peuvent différer légèrement du produit réel.

ITL A causa del continuo miglioramento dei prodotti, il prodotto descritto o illustrato in questo documento può variare leggermente rispetto al prodotto reale.

NLD Vanwege voortdurende productverbeteringen, kunnen de afgebeelde producten in dit document licht afwijken van het eigenlijke product.

ESP Perfeccionamos nuestros productos continuamente, por lo que el artículo podría diferir ligeramente de la ilustración o la fotografía en este documento.

POR Devido à melhoria continua dos produtos, os produtos ilustrados ou fotografados neste documento podem variar ligeiramente do produto real.

DK På grund af løbende produktudvikling kan de illustrerede eller fotograferede produkter i dette dokument variere en smule fra det faktiske produkt.

SE På grund av kontinuerlig produktförbättring kan produkterna som visas i illustrationerna och fotografierna i detta dokument skilja sig något från den faktiska produkten.

FI Jatkuvan tuotekehittelyn seurauksena kuvituksen tuotteet eivät välttämättä ole täysin samanlaisia kuin varsinainen tuote.

NO På grunn av kontinuerlig produktutvikling kan produktene som er vist eller avfotografert i dette dokumentet, variere noe fra det faktiske produktet.

Copyright BRG Appliances 2021

B5G600/SSG600 UG6 C21