

the Dicing Kit (8mm & 16mm)

SFP005

(Only use with SFP820 Food Processor or SFP006 Bowl & Lid)



Sage[®]



Contents

- 2 Sage® Recommends Safety First
- 4 Components
- 5 Assembly
- 6 Functions
- 7 Food Processing Guide – Dicing
- 8 Care & Cleaning


SAGE® RECOMMENDS SAFETY FIRST

At Sage® we are very safety conscious. We design and manufacture consumer products with the safety of you, our valued customer, foremost in mind. In addition we ask that you exercise a degree of care when using any electrical appliance and adhere to the following precautions.

IMPORTANT SAFEGUARDS

READ ALL INSTRUCTIONS BEFORE USE AND SAVE FOR FUTURE REFERENCE

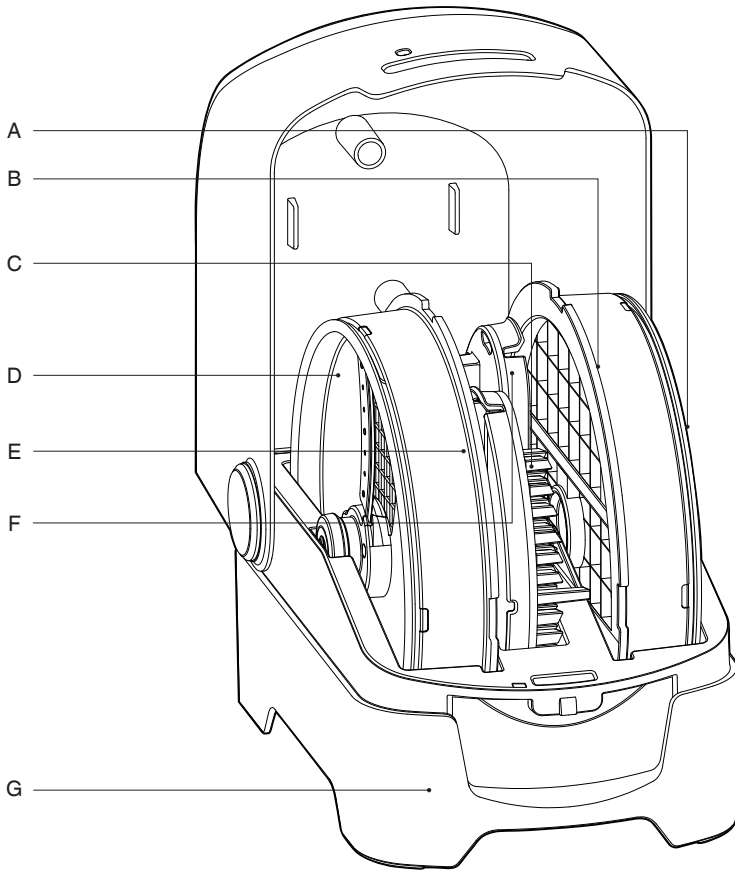
- The full information book is available at sageappliances.com
- Remove and safely discard any packaging materials before first use.
- This appliance is for household use only. Do not use the appliance for anything other than its intended use. Do not use in moving vehicles or boats. Do not use outdoors. Misuse may cause injury.
- Cleaning of the appliance should not be carried out by children unless they are 8 years or older and supervised.
- The appliance should be kept out of reach of children aged 8 years and younger.
- Always ensure the appliance is properly assembled before use. The appliance will not operate unless properly assembled.
- Keep hands, fingers, hair, clothing as well as spatulas and other utensils away from moving or rotating parts during operation.
- Do not use the appliance for anything other than food and/or beverage preparation.

- Carefully read all instructions before operation and save for future reference.
 - The appliance can be used by persons with reduced physical or mental capabilities or a lack of experience and knowledge, only if they have been given supervision or instruction concerning use of the appliance in a safe way and understand the hazards involved.
 - This appliance shall not be used by children.
 - Always ensure the appliance is turned OFF and unplugged at the power outlet before attaching the Dicing Kit.
 - Handle the food processor and attachments with care – remember the blades and grids are razor-sharp and should be kept out of reach of children.
 - Always operate the food processor with the processing lid securely in position.
 - Do not push food into the feed chute with your fingers or other utensils. Always use the food pusher provided. Do not place hand or fingers into the food chute when it is attached to the appliance.
 - Ensure the OFF button has been pressed to switch the motor off and the appliance is switched off at the power outlet and unplugged before removing the lid from the bowl. The processing bowl should then be unlocked from the motor body and the accessories carefully removed before attempting to remove the processed food.
 - Do not attempt to operate the food processor by any method other than those described in this booklet.
 - This product is for use with specific Sage food processors only. Do not attempt to use the Dicing Kit with any other food processors other than those models specified on the packaging.
-  The symbol shown indicates that this appliance should not be disposed of in normal household waste. It should be taken to a local authority waste collection centre designated for this purpose or to a dealer providing this service. For more information, please contact your local council office.

**FOR HOUSEHOLD USE ONLY
SAVE THESE INSTRUCTIONS**



Components



- A. 16mm Dicing Disc
- B. 16mm Dicing Grid
- C. 16mm Cleaning Cap
- D. 8mm Dicing Disc

- E. 8mm Dicing Grid
- F. 8mm Cleaning Cap
- G. Storage Box



Assembly

- Position the Processing Bowl onto the Motor Base and turn the bowl clockwise until the handle locks to the front.
- Before placing the lid onto the Processing Bowl, place your Geared Spindle and position it over the coupling in the centre of the Processing Bowl.
- If you intend to dice larger quantities (more than 5 cups) please insert the Dicing Distributor after placing your geared spindle into the bowl. The Dicing Distributor will help to distribute diced food evenly across the bowl.



WARNING

Do not touch the blades of the Dicing Grid. They are extremely sharp.

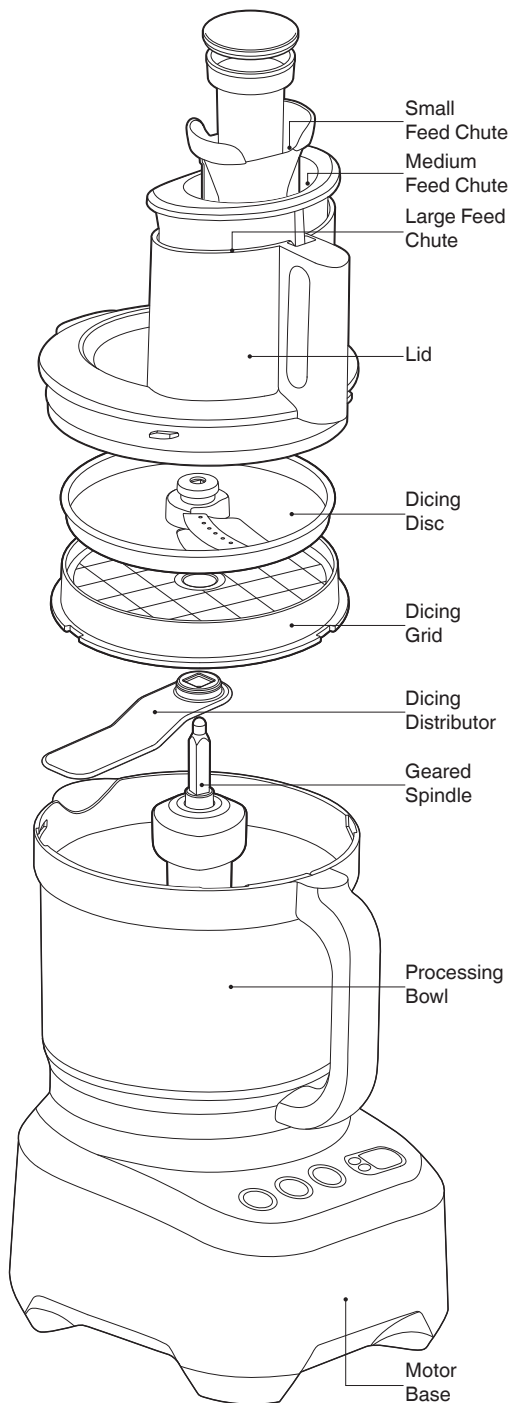


- Place the Dicing Grid, ensuring to align with the 4 tabs in the bowl, then insert the Dicing Disc.
- Make sure you follow the right order and to match your Dicing Disc with your Dicing Grid. Each Dicing Grid creates cubes in different sizes and has its corresponding Dicing Disc in matching size.
- Do not use your Dicing Kit with the Disc Spindle. Always use the Geared Spindle.



NOTE

Only use the Dicing Kit with SFP820 Food Processor or SFP006 Bowl & Lid.





Functions

The Dicing Kits dice raw and cooked food into cubes of the size of 16mm x 16mm and 8mm x 8mm.

Do not dice more than 10 cups (2.4L) in your food processor at a time. If you need to dice more than this volume, always empty your bowl and then continue dicing. Exceeding this volume will lead to the product jamming in the disc and will make the cleaning process of the dicing grid challenging.

Use the START / PAUSE button for control when dicing food.

Vegetables and fruits

The Dicing Kits can process raw and cooked vegetables and also fruits. To improve dicing results for harder vegetables like carrots and pumpkin, par-cooking is recommended.

Do Not Dice Sweet Potato

(Yam/Kumara)

Due to its dry, fibrous texture dicing sweet potato is not recommended with the Dicing Kit.

Sweet potato places high load on the Dicing Kit which causes high friction and potential damage to the Bowl Lid.

Choose The Right Feed Chute Size

For best results when dicing with raw, hard vegetables feed carrots length-ways through the Small Feed Chute, and feed pumpkin through the Medium Feed Chute. Feeding this produce through the Large Feed Chute may lead to jamming of the disc. When dicing tomato, select firmer fruit for optimal results.



TIP

If the food processor stalls when dicing stop the machine and remove the dicing disc very carefully. Using the cleaning cap, clear out the food built up in the dicing grid and dicing disc.



Food Processing Guide – Dicing

FOOD TYPE	TIP	DISH TYPE SUGGESTIONS
Avocado (peeled)	Remove skin	Chunky Guacamole \Salad
Beetroot	Can be processed raw or cooked.	Relish\Beetroot Risotto\Salad
Butternut Pumpkin	Use medium feed chute or pre-cook	Butternut Pumpkin Soup
Carrot	Use small or medium feed chute \or pre-cook	Minestrone, Meat Pie\Vegetable Soup, Mirepoix
Celery	Trim top and tail	Vegetable Soup, Mirepoix\Salad
Onion	Remove skin	Salsa, Soup\Sauces\Salad
Potatoes	Can be processed raw or cooked.	Potato Salad\Mashed Potatoes\Soup
Tomatoes		Salsa, Bruschetta\Sauces
Apple/Pear	Core and remove pits	Fruit Salad\Apple Sauce
Zucchini		Minestrone, Quesadillas, Salsa



Care & Cleaning

Remove the power cord from the power outlet after use for safety reasons.

Blades and Discs are razor sharp, do not touch. Always use the Cleaning Cap, Spatula or Brush to remove food or when cleaning blades. Blades and discs can be washed in the dishwasher.

All three Dicing Grids (8mm, 12mm and 16mm) have their matching Cleaning Cap Tools (8mm, 12mm, 16mm).

To clear out remaining food from the Dicing Grid use the Dicing Cleaning Cap in the matching size of Dicing Grid after Dicing 10 cups or EACH USE. Immediately after dicing, remove the Dicing Disc from the bowl while leaving the Dicing Grid inside the bowl.

- Choose the right Cleaning Cap size and attach the Cleaning Cap to the bottom of the Large Pusher.
- Align the markings on the Cleaning Cap with the markings on the Dicing Grid, push down to clear out the food in the grid.
- Repeat four times going around the grid until the entire grid is cleared.

Once the remaining food is cleared out into the bowl, carefully take the Dicing Grid to the sink and wash it with the Cleaning Brush provided with your Food Processor.



Storage

All accessories should be kept in the storage container and out of the reach of children to avoid accidental cuts. It is not recommended to store the discs in a drawer with other utensils.



Notes